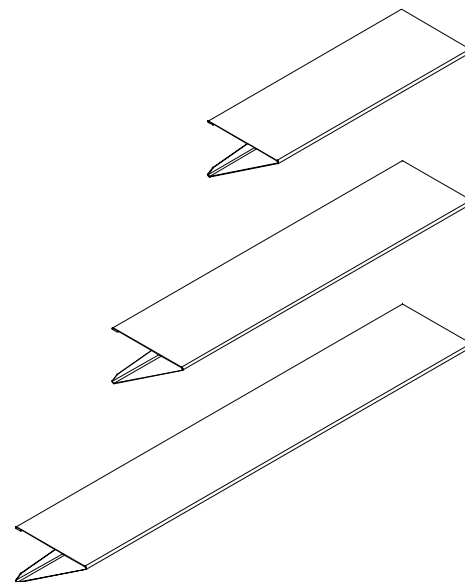


# SIRAP COLOR



## Product Details

### SIRAP M60

Material: 1.5 mm steel plate  
Finish: Yellow coated

### SIRAP M90

Material: 1.5 mm steel plate  
Finish: Red coated

### SIRAP M120

Material: 1.5 mm steel plate  
Finish: Blue coated

Dimensions: 59,6 x 22 x 15 cm.  
Weight (per unit): 3,75 Kg-8,15 lb  
Weight limit: 60 kg-132,26 lb

Dimensions: 89,6 x 22 x 15 cm.  
Weight (per unit): 5,65 Kg-12,34 lb  
Weight limit: 70 kg-154,30 lb

Dimensions: 119,6 x 22 x 15 cm.  
Weight (per unit): 7,65 Kg-16.55 lb  
Weight limit: 80 kg-176,35 lb

## Warning

Read each step carefully before beginning assembly.

This instruction booklet contains important SAFETY information.

Verify the flatness of the wall along the entire length on which you plan to place shelves SIRAP M.

The wall anchors included can be adapted to different types of walls to support the weight indicated. If your wall consists of drywall, the weight supported by the wall anchors equal to 22 lbs. We recommend the use of metal umbrella wall anchors to withstand greater loads.

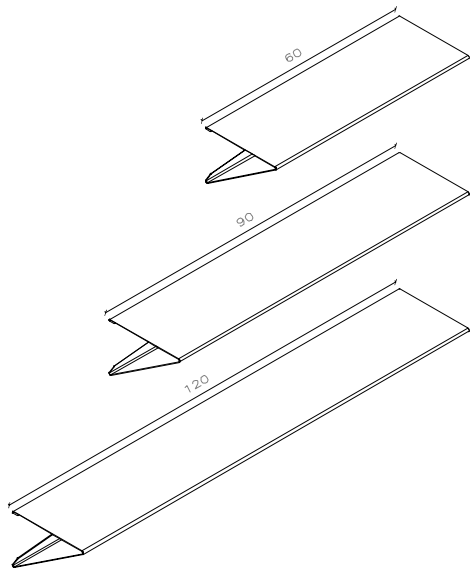
For more information access [www.objects.es](http://www.objects.es)

## Maintenance instructions

Wipe the surface with a soft dry cloth.

Do NOT use any cleaner containing acids, ammonia or abrasives.

# components



**A1. SIRAP M60**  
1 unit

**A2. SIRAP M90**  
1 unit

**A3. SIRAP M120**  
1 unit

 **D. Washers**  
6 - 6 - 8 units

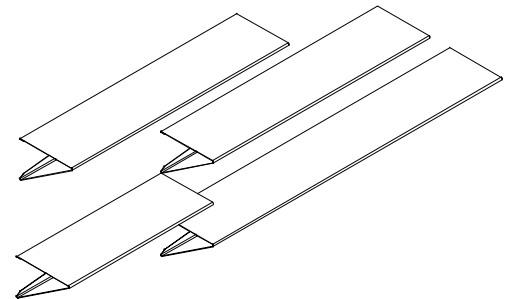
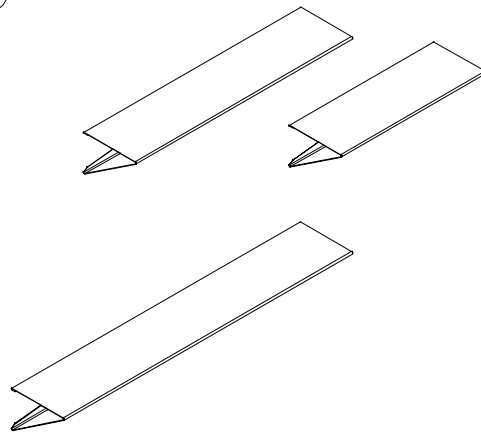
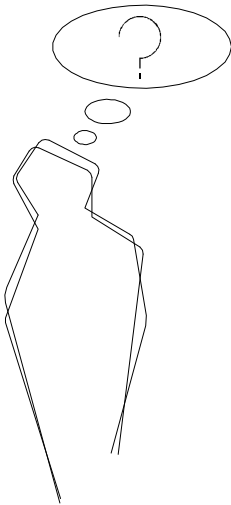
 **E. Anchors**  
3 - 3 - 4 units

 **F. 50mm Screws**  
3 - 3 - 4 units

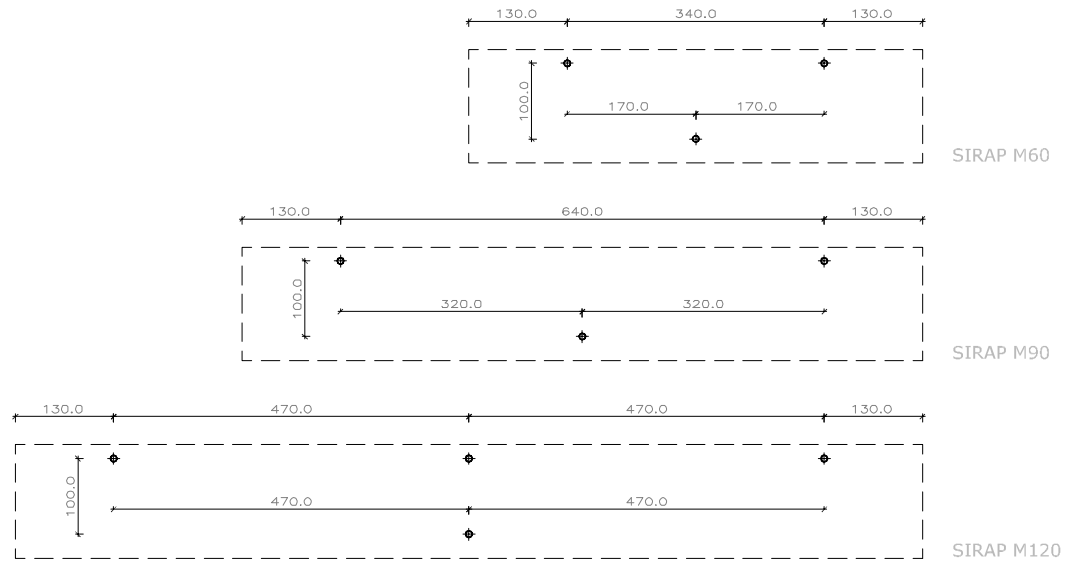
 **G. Fischer plastic wall plug**  
3 - 3 - 4 units

# instructions

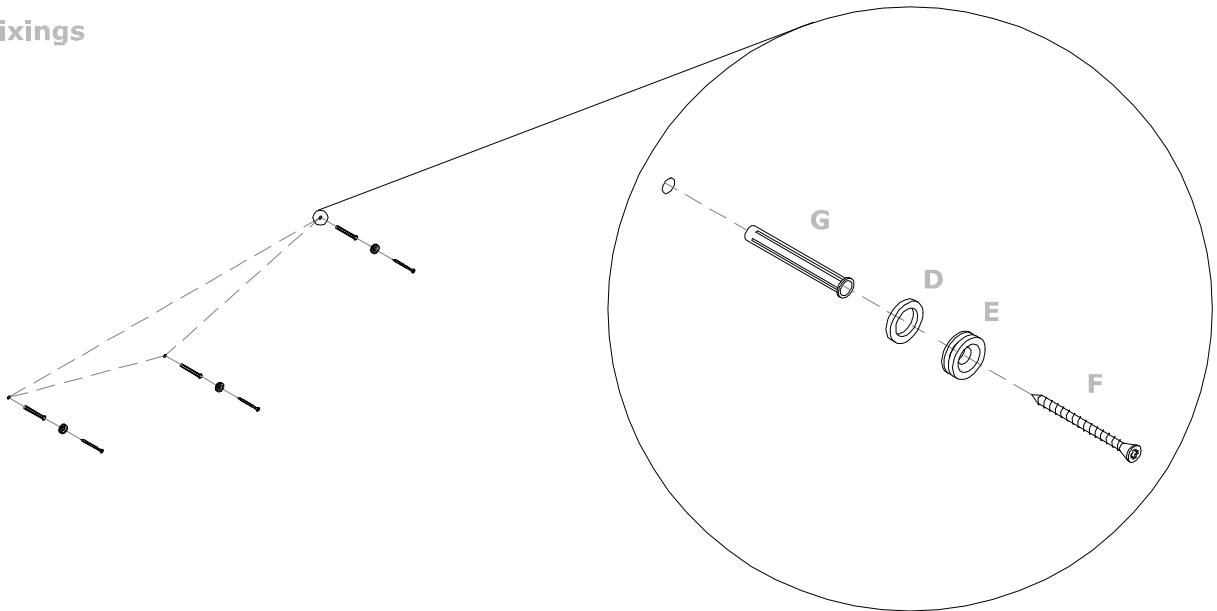
## 1 Find your design



## 2 Mark fixing points according to model and position



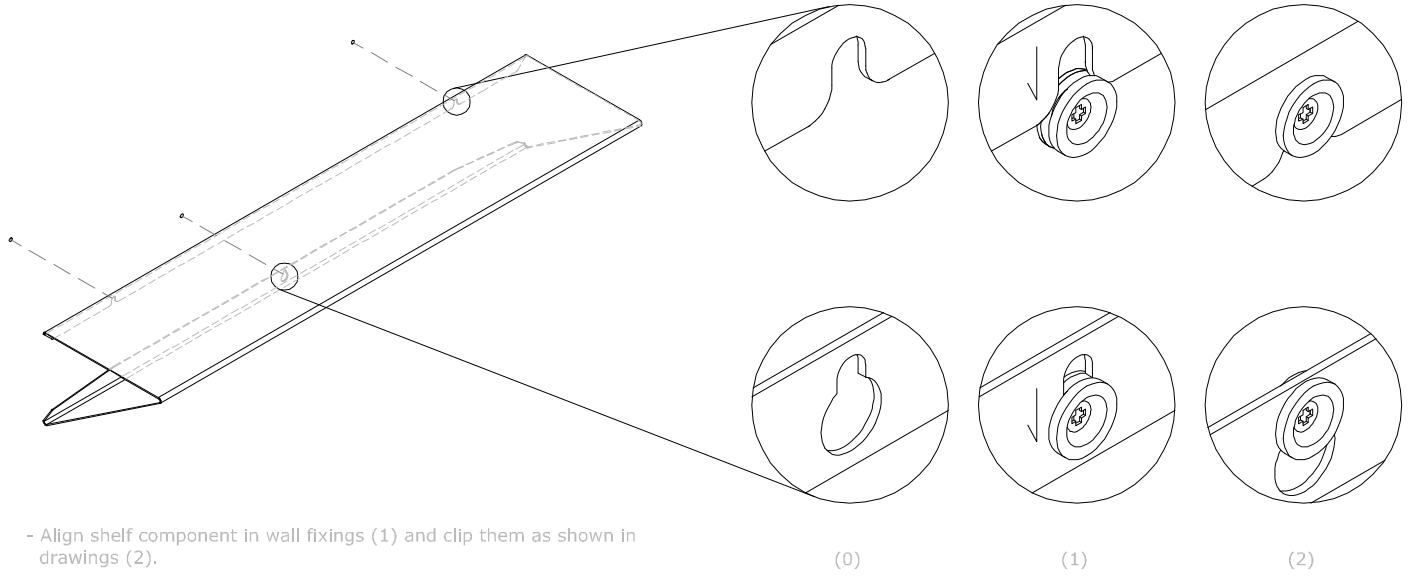
## 3 Fix fixings



- Install anchors E on the marked points according to the chosen design.

- Correct flatness issues by entering the wall washers D between the wall and the anchors E.

**4** Install



- Align shelf component in wall fixings (1) and clip them as shown in drawings (2).

**5** Final assembly

