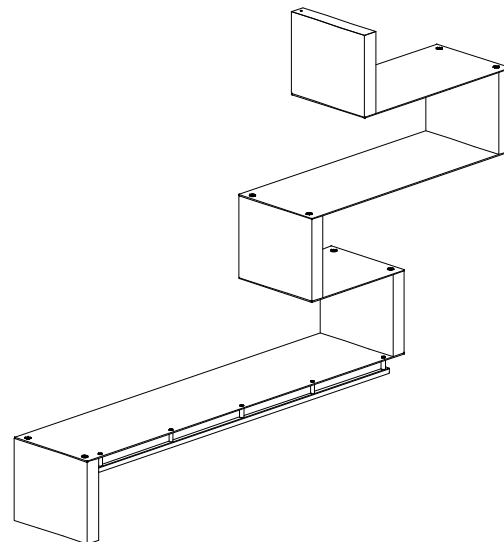


L I Z A - P



Product Details

Supports (5 units)

- Material: Solid Beech Wood
- Dimensions: 4,2x27x23cm
- Finish: Varnished

Shelves (4 units)

- Material: 3mm steel plate.
- Dimensions: Shelf A (1unit): 35x27cm
Shelf B (1unit): 55x27cm
Shelf C (1unit): 75x27cm
Shelf D (1unit): 120x27cm
- Finish: Dark-grey coated.

Weight (whole set): 31,90kg-70,35 lb.

Warning

Read each step carefully before beginning assembly.

This instruction booklet contains important SAFETY information.

Verify the flatness of the wall along the entire length on which you plan to place shelves LIZA-P.

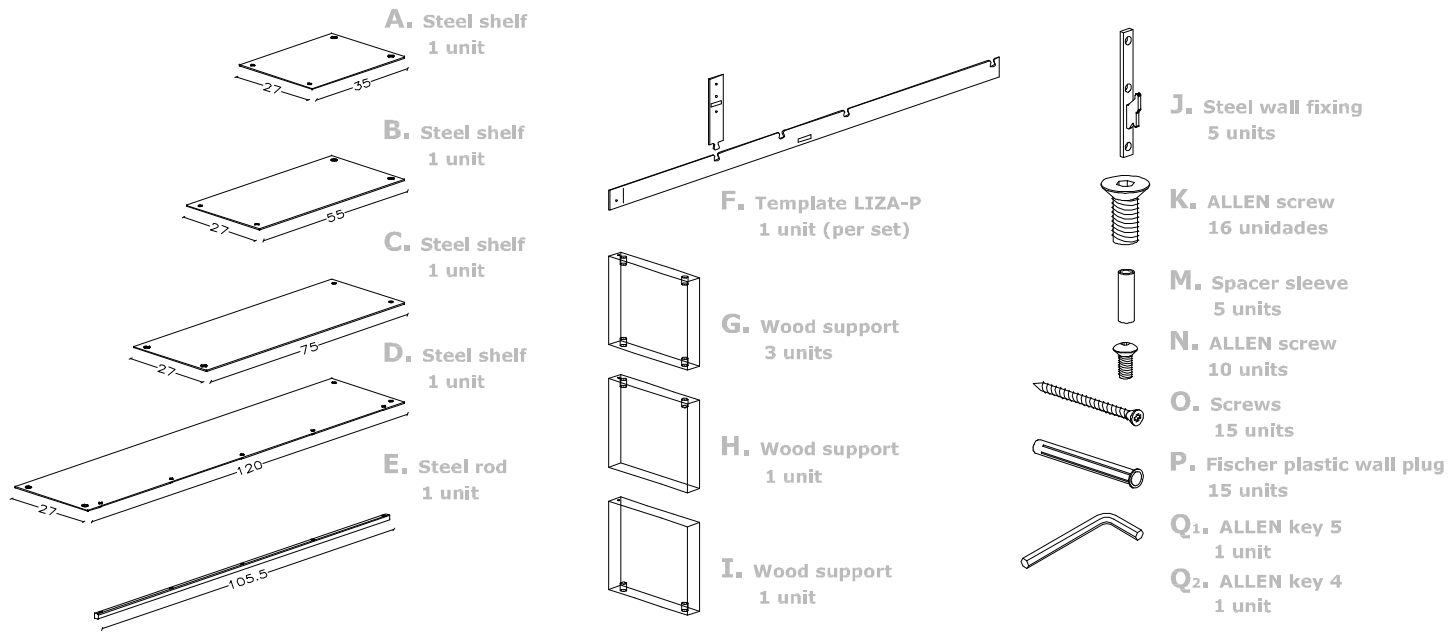
The wall anchors included can be adapted to different types of walls supporting up to 44lbs. If your wall consists of drywall, the weight supported by the wall anchors equal to 22 lbs. We recommend the use of metal umbrella wall anchors to withstand greater loads.

For more information access www.objects.es

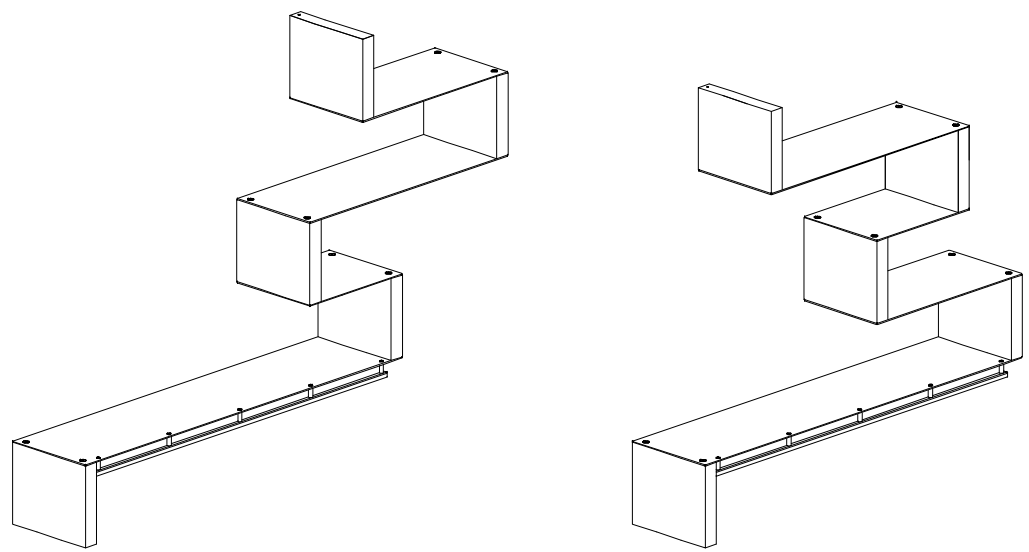
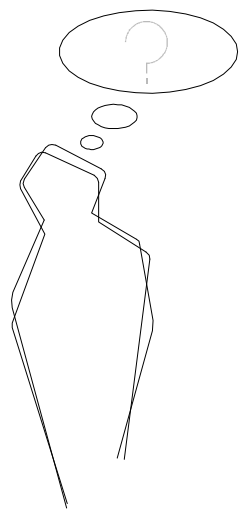
Maintenance instructions

Wipe the surface with a soft dry cloth.

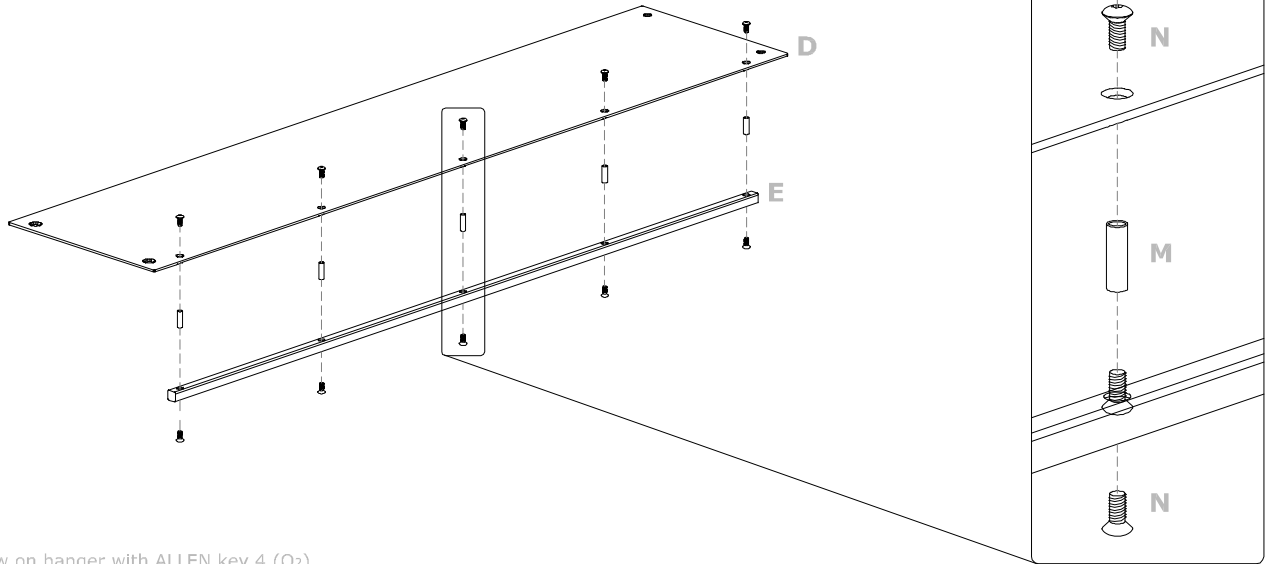
Do NOT use any cleaner containing acids, ammonia or abrasives.



1 Find your design



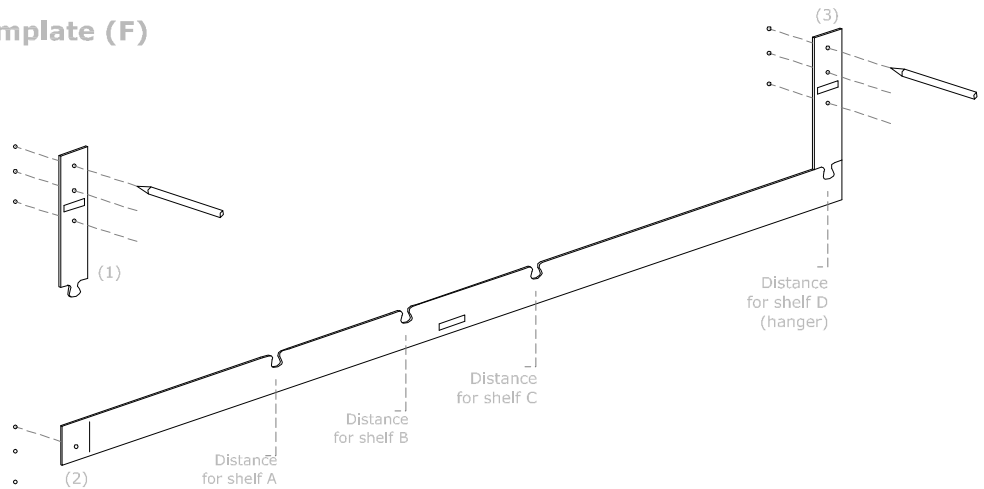
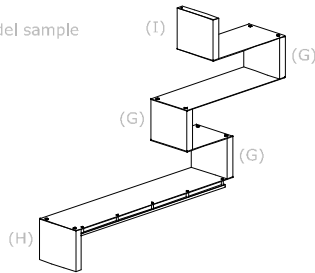
2 Mounting hanger



-Screw on hanger with ALLEN key 4 (Q₂).

3 Mark fixing points with template (F)

Model sample



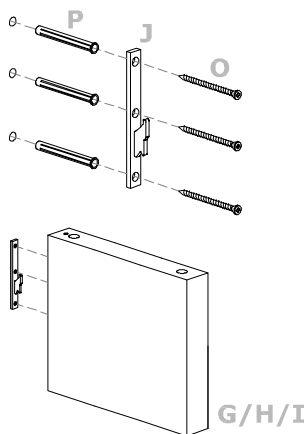
-Start with LOWER support (H).

-Mark three starting points with template reference (1).
Check HORIZONTAL level.

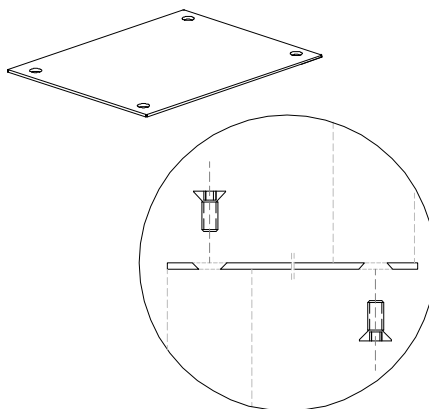
-Locate point (2) on the TOP point of already marked points and mark next points using template (3).

-Locate again the template reference (2) on the TOP point of already marked points and choose the position of the next points depending on chosen design.

-Repeat procedure till finish design.

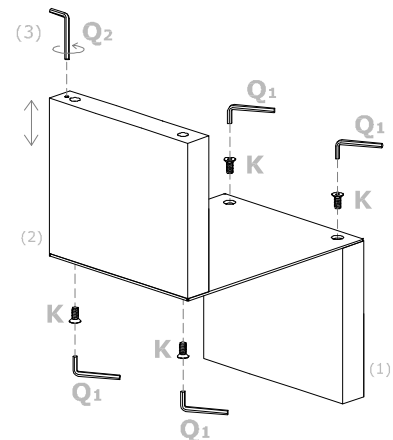
4 Install wall fixings

- On marked points install wall fixings (J).
- Fix then wood supports on wall fixing.

5 Screw on shelves

- Identify for each steel plate top diameter of counter sunk hole in order to introduce each bolt correctly.

- Use ALLEN 5 key (Q1) to screw on steel shelves.



- We recommend to rest steel shelf into LOWER support (1) and first screw on shelf to TOP support (2).

- Once the steel shelf fixed, wood support position can be adjusted with ALLEN key 4 (Q2).

- Repeat procedure for next shelves.

6 Mounted Liza-P