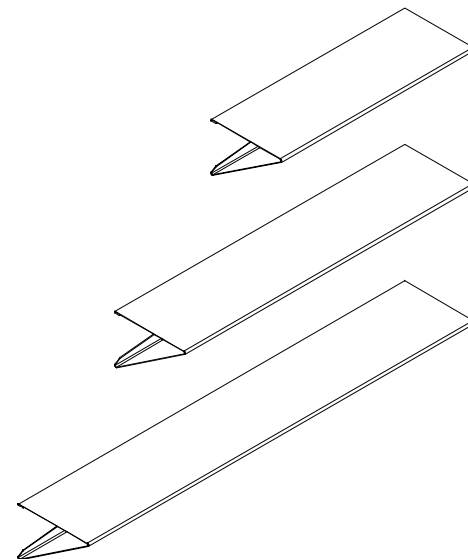


SIRAP M



Product Details

SIRAP M60

Material: 1.5 mm steel plate
Finish: White coated
Ligth grey coated
Dark grey coated

Dimensions: 59,6 x 22 x 15 cm.
Weight (per unit): 3,75 Kg-8,15 lb
Weight limit: 60 kg-132,26 lb

SIRAP M90

Material: 1.5 mm steel plate
Finish: White coated
Ligth grey coated
Dark grey coated

Dimensions: 89,6 x 22 x 15 cm.
Weight (per unit): 5,65 Kg-12,34 lb
Weight limit: 70 kg-154,30 lb

SIRAP M120

Material: 1.5 mm steel plate
Finish: White coated
Ligth grey coated
Dark grey coated

Dimensions: 119,6 x 22 x 15 cm.
Weight (per unit): 7,65 Kg-16,55 lb
Weight limit: 80 kg-176,35 lb

Warning

Read each step carefully before beginning assembly.

This instruction booklet contains important SAFETY information.

Verify the flatness of the wall along the entire length on which you plan to place shelves SIRAP M.

The wall anchors included can be adapted to different types of walls to support the weight indicated. If your wall consists of drywall, the weight supported by the wall anchors equal to 22 lbs. We recommend the use of metal umbrella wall anchors to withstand greater loads.

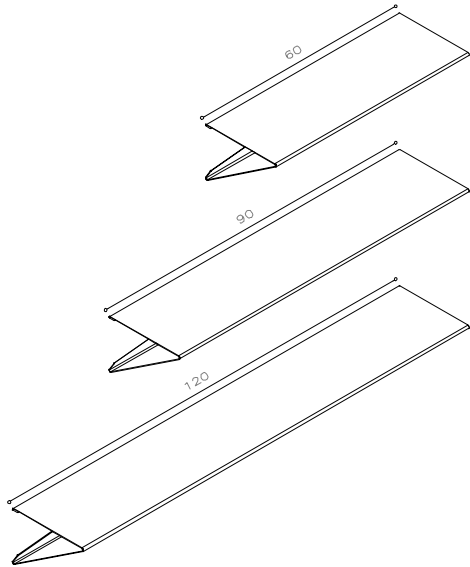
For more information access www.objects.es

Maintenance instructions

Wipe the surface with a soft dry cloth.

Do NOT use any cleaner containing acids, ammonia or abrasives.

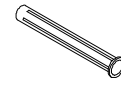
components



A1. SIRAP M60
1 unit

A2. SIRAP M90
1 unit

A3. SIRAP M120
1 unit



B. Fischer plastic wall plug
3-5-6 units



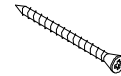
C. Washers
6-10-12 units



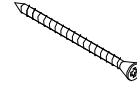
D. Upper anchors
2-3-4 units



E. Lower anchors
1-2-2 units



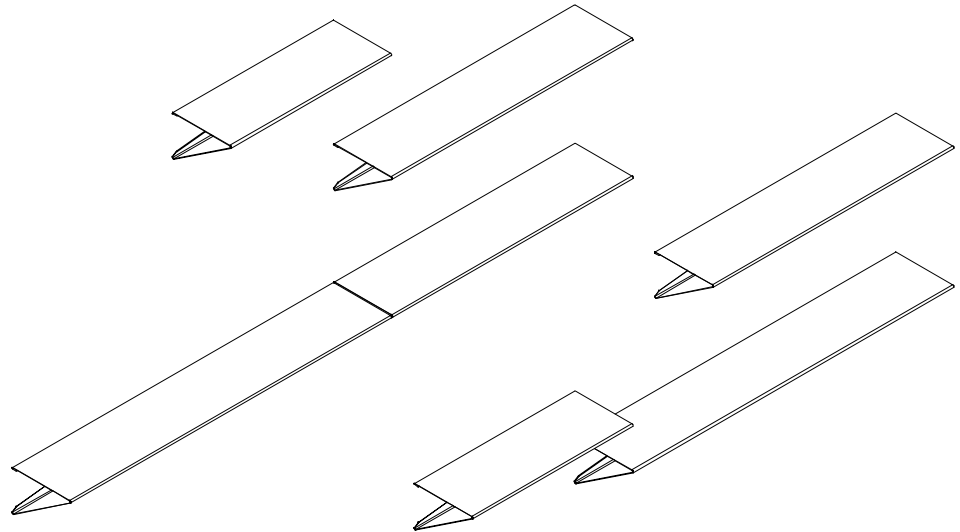
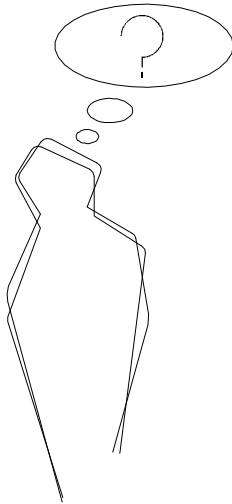
F. 5x50mm Screws
2-3-4 unidades



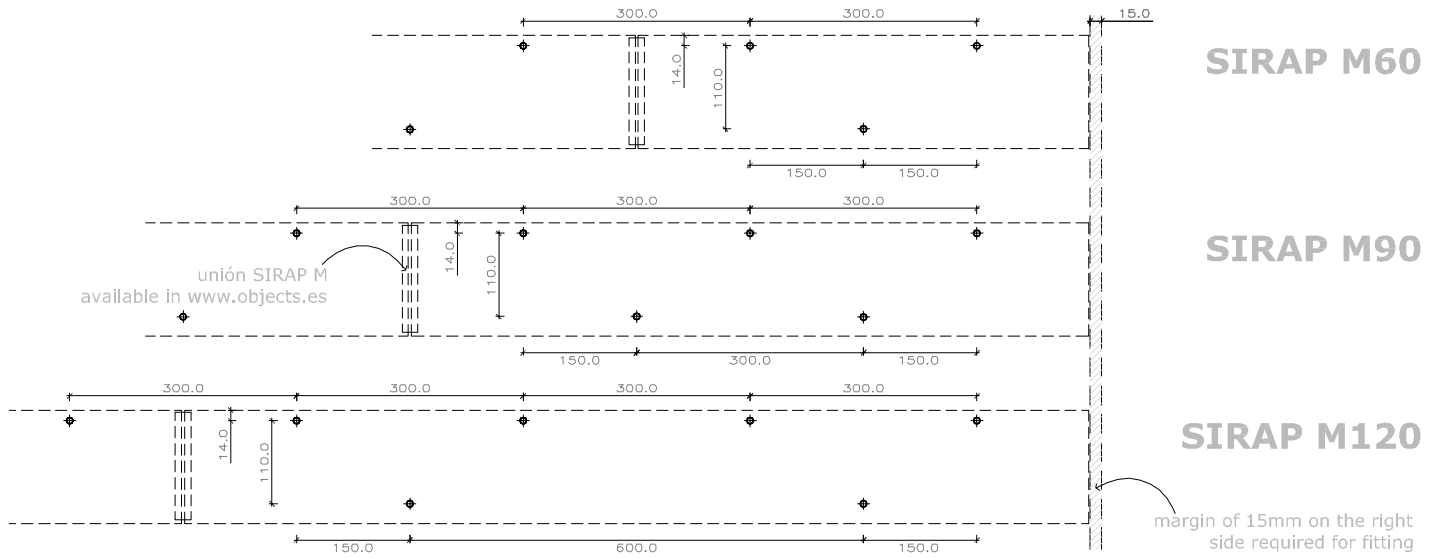
G. 5x60mm Screws
1-2-2 unidades

instructions

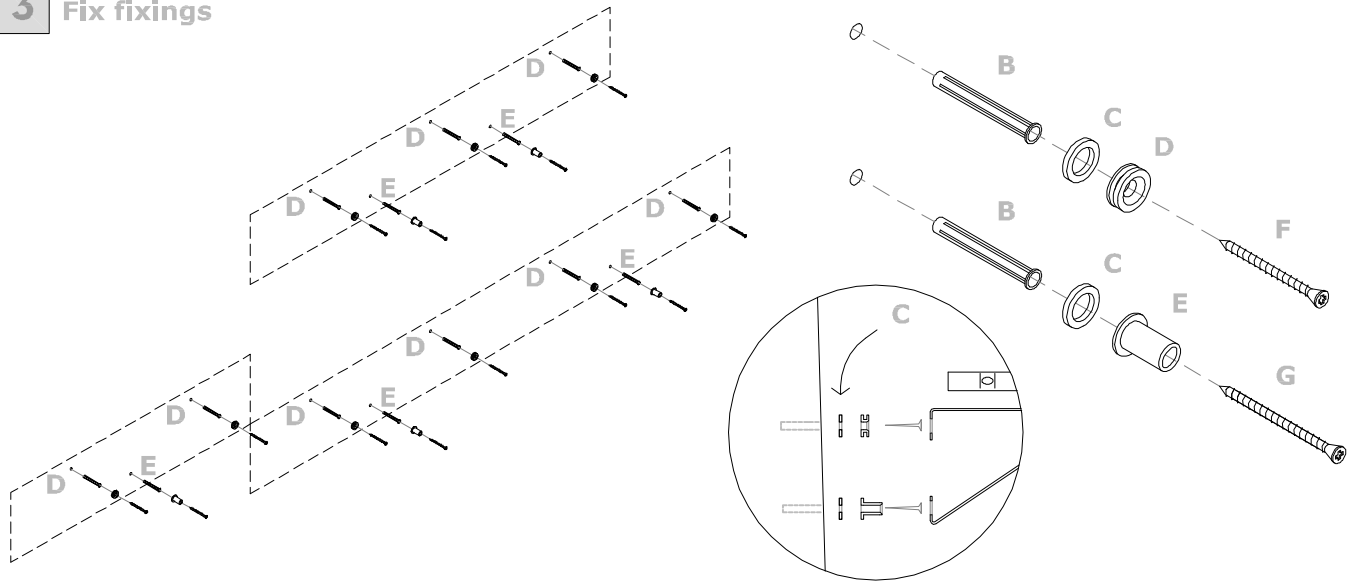
1 Find your design



2 Mark fixing points according to model and position

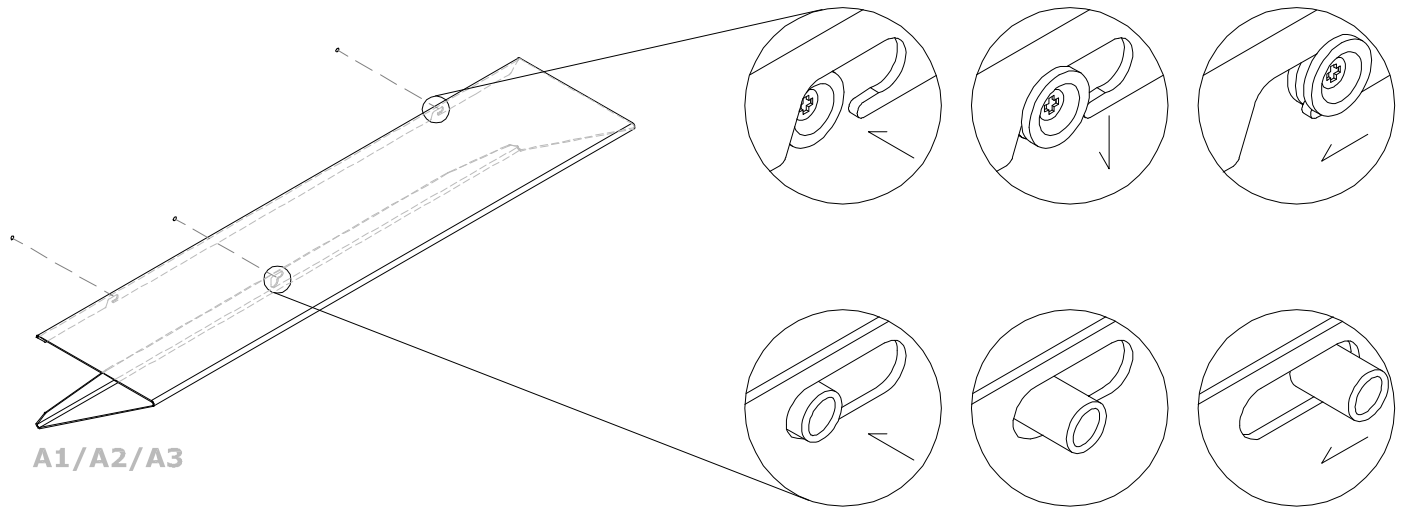


3 Fix fixings



- Install anchors D and E on the marked points according to the chosen design.

- Correct flatness issues by entering the wall washers C between the wall and the anchors D and E.

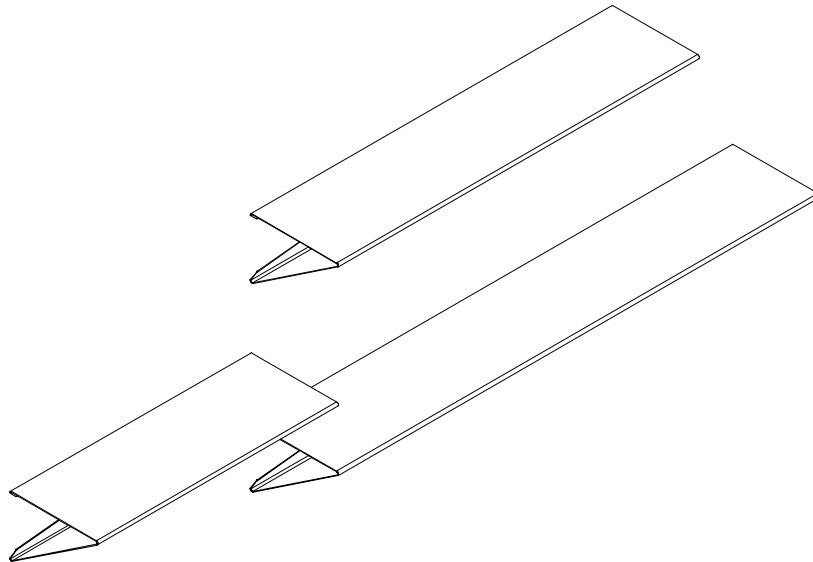
4 Install**A1/A2/A3**

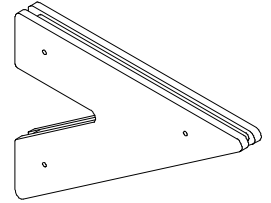
- Align shelf component in wall fixings (1) and clip them as shown in drawings (2) and then shift to the left (3).

(1)

(2)

(3)

5 Final assembly



SIRAP M - UNION -

Product Details

Material: Black MDF 8 mm.

Dimensions: 20 x 14 x 2,5 cm.

Finish: Natural

Weight (per unit): 0,25 kg-0,55 lb

Warning

Read each step carefully before beginning assembly.

This instructions booklet contains important SAFETY information.

You can be seriously injured if you don't follow instructions.

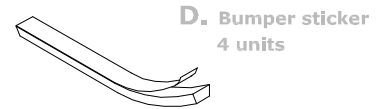
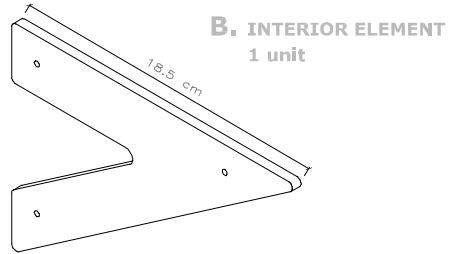
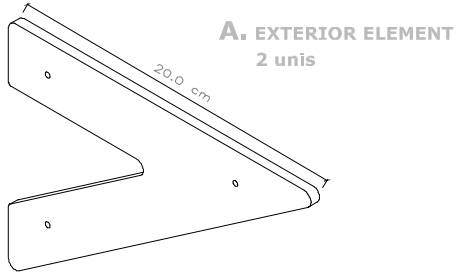
For more information access www.objects.es

Maintenance instructions

Wipe the surface with a soft dry cloth.

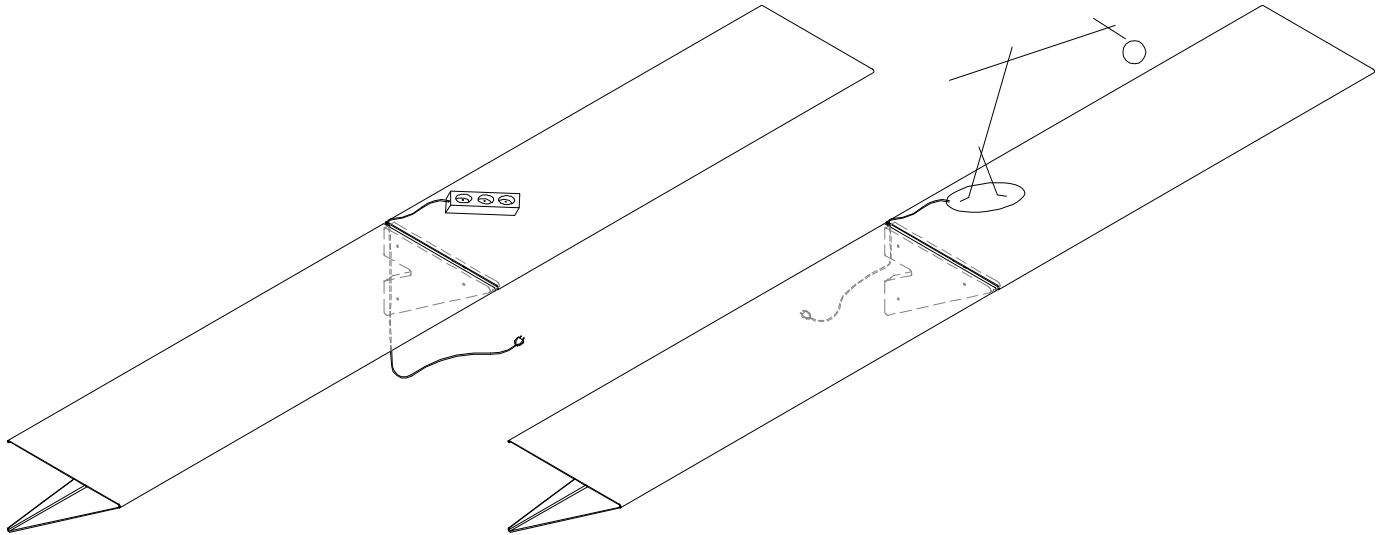
Do NOT use any cleaner containing acids, ammonia or abrasives.

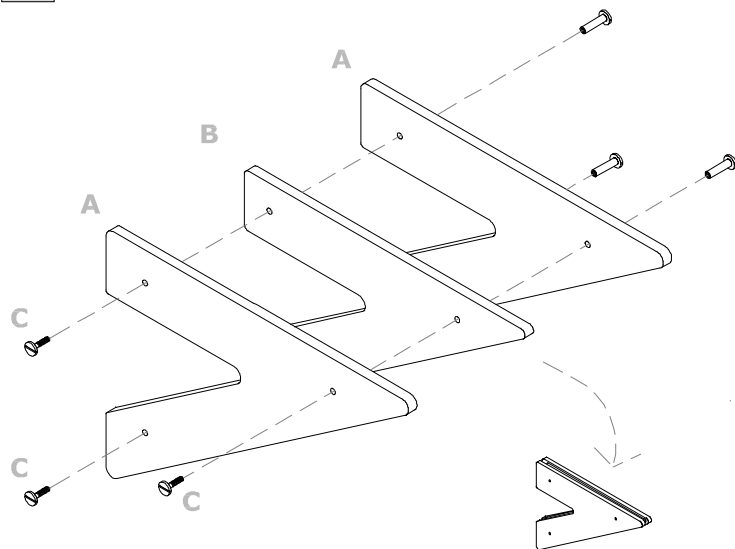
components



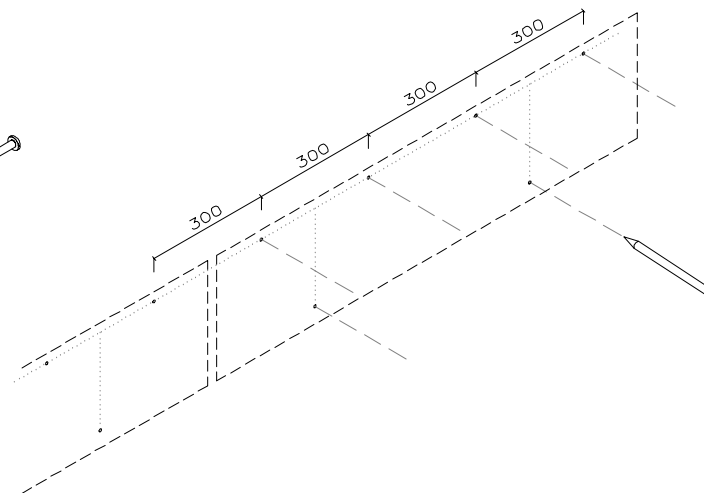
instructions

1 Find your design

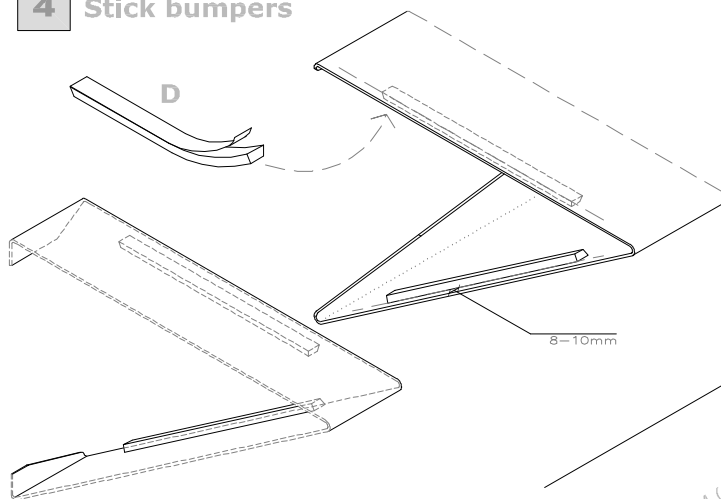


2 Join connection elements

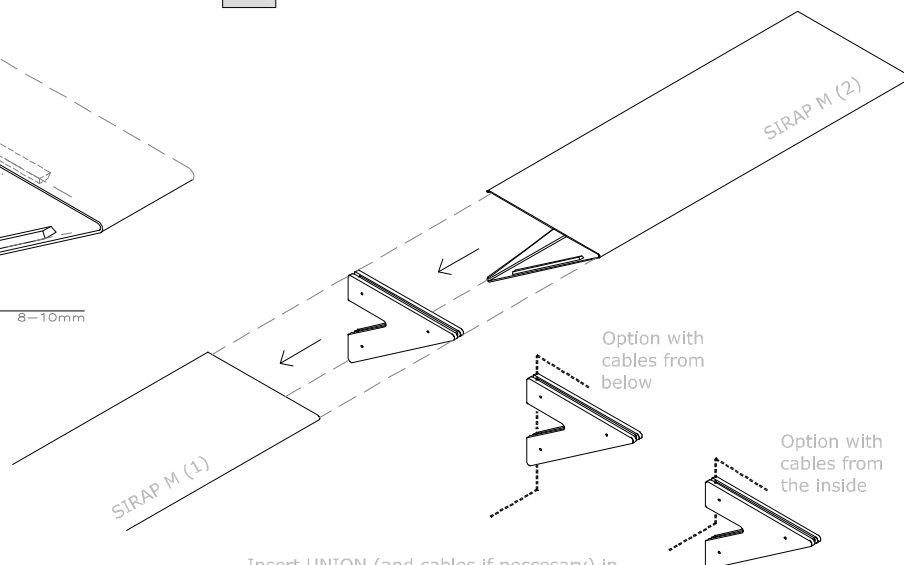
- Insert and screw connectors to link the three elements of the union.

3 Place successive anchors

- Mark points for each SIRAP M shelf according to the indicated distances and install anchors.

4 Stick bumpers

- Stick adhesives bumpers 8-10mm from the edge on both SIRAP.

5 Install UNION and SIRAP M

- Insert UNION (and cables if necessary) in SIRAP (1) and consecutively hang SIRAP (2)

Option with
cables from
below

Option with
cables from
the inside