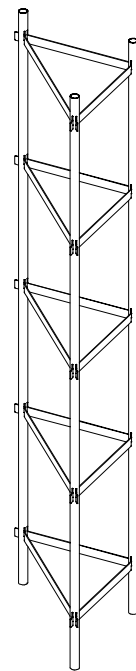


VIA



Product Details

Material: Tube and steel plate
Dimensions: 35.5 x 35.5 x 174 cm
Finish: Dark-grey coat
Weight (per unit): 5,5kg-12,12lb

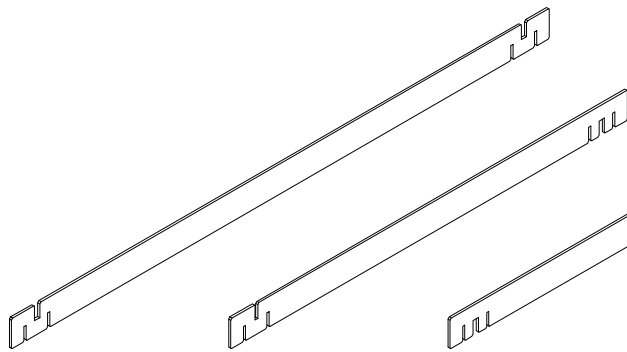
Warning

Read each step carefully before beginning assembly.
This instructions booklet contains important SAFETY information.
You can be seriously injured if you don't follow instructions.
For more information access www.objects.es

Maintenance instructions

Wipe the surface with a soft dry cloth.
Do NOT use any cleaner containing acids, ammonia or abrasives.

components



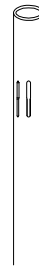
A. Long rod
5 units

B. Short rod 1
5 units

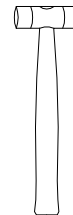
C. Short rod 2
5 units



D. Tube 90°
1 unit



E. Tube 45°
2 units

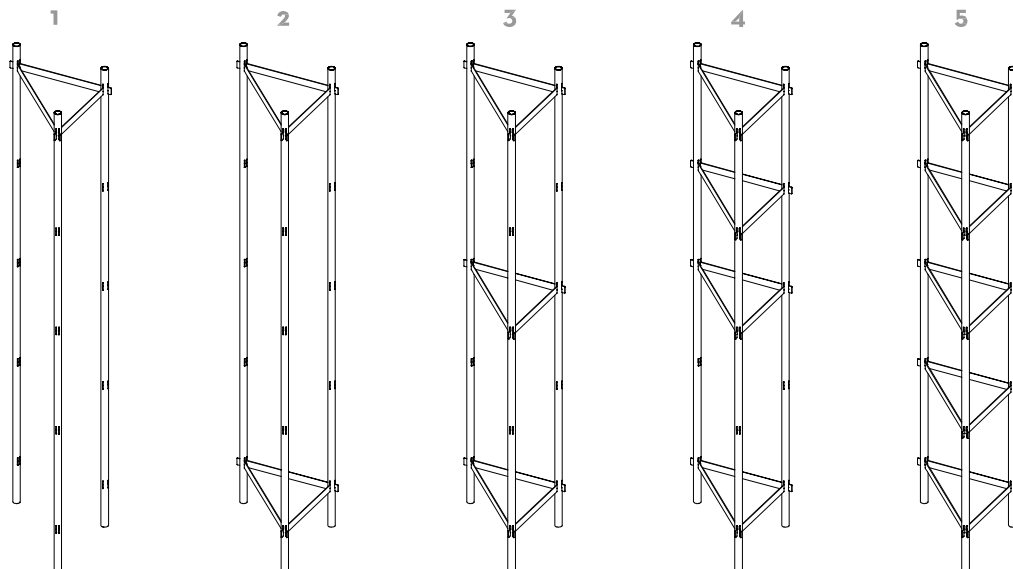


F. Rubber hammer
1 unit

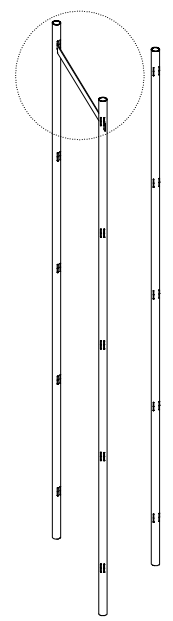
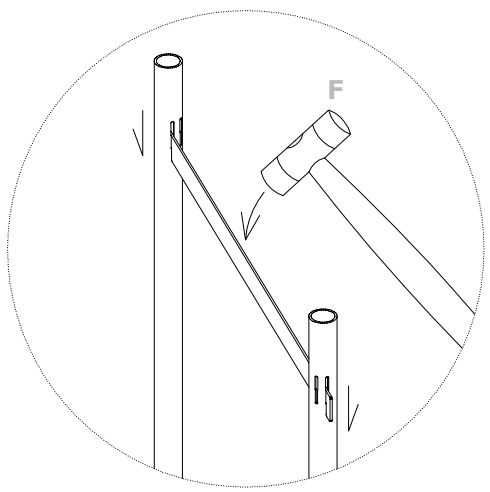
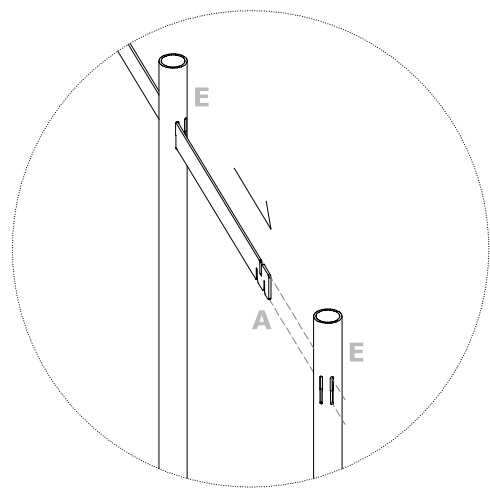
instructions

1

Assembly diagram

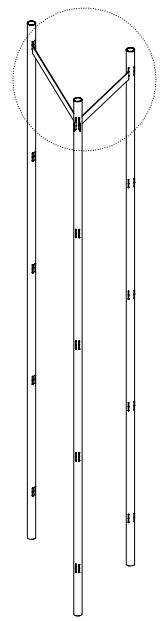
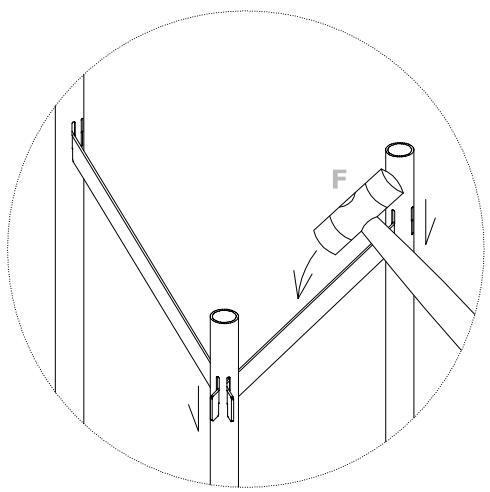
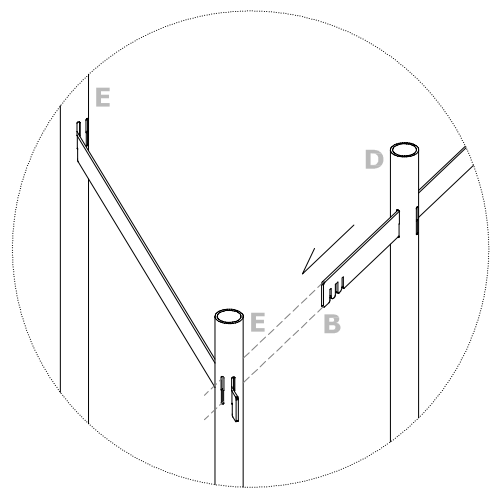


2 Fix rod A

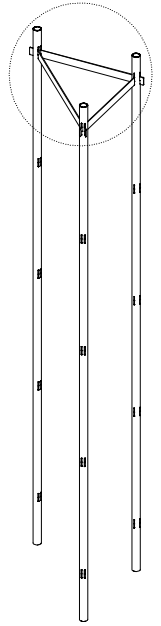
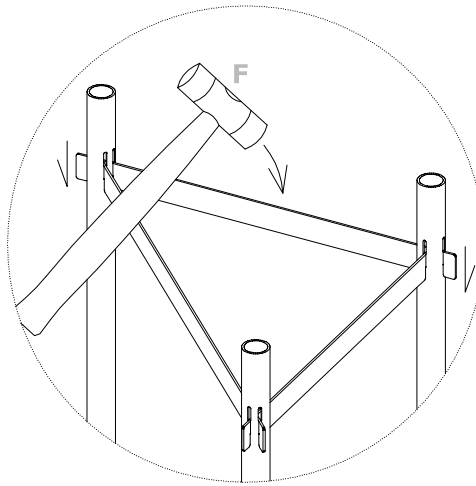
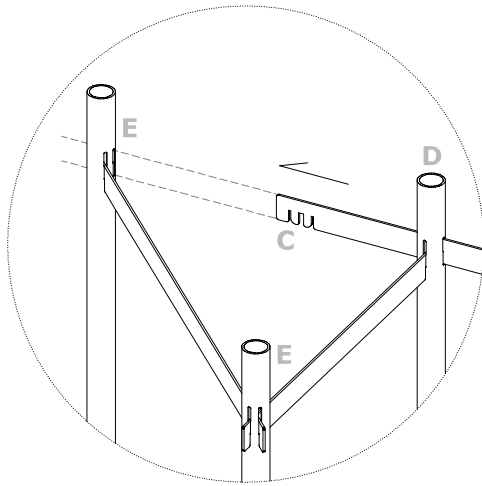


- The first rod to be installed is rod A (check section detail) on supports E-E as shown in drawing.

3 Fix rod B



- Next is rod B (see section detail) on supports D-E, as shown in drawing below.

4 Fix rod C

- Last rod is rod C (see section detail) on supports E-D, as shown in drawing below.
- Repeat procedure for each level of shelf structure.

5 Install shelves on structure